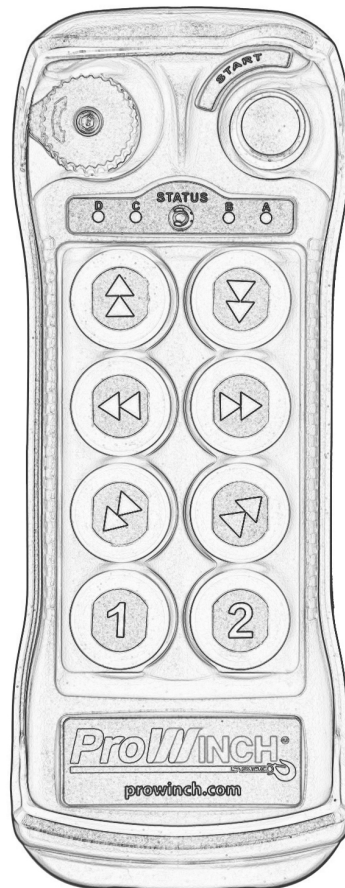




PW-Q Remote Controller

User's Manual / Manual de usuario
Safety Warnings / Advertencias de Seguridad



CONTENTS

| | |
|-----------|---|
| 01 | 3 4 PROWINCH® DISCLAIMER |
| 02 | 6 10 SAFETY PRECAUTIONS Applications for PW-Q.....6 Environmental Precautions.....8 Graphic Transmitter.....9 |
| 03 | 12 14 TROUBLESHOOTING Troubleshooting Of Transmitter12 Technical Index.....13 |
| 04 | 15 16 WARRANTY |
| 05 | 22 24 TECHNICAL SPECIFICATIONS Installation.....16 Pairing Instructions.....18 Wiring Diagram.....20 |

PROPERTY REGISTRY N° 189487
ANY REPRODUCTION IS FORBIDDEN
PROPERTY OF PROWINCH® 2018 - V8.0 ALL RIGHTS RESERVED
PROWINCH LLC COMPANY WITH QUALITY MANAGEMENT SYSTEM

PROWINCH® DISCLAIMER

Prowinch® LLC declares that it has made available to the Customer each and every one of the security warnings related to the purchased product and that, as a result, it does not assume any responsibility for any damages or losses that may be suffered by the client or third parties. Cause or as a direct or indirect consequence of the breach or omission of any of the instructions or safety warnings contained in the User Manual and Security Warnings corresponding to the unit purchased. In this sense, Prowinch® LLC will not be liable for accidents and / or damages to persons and / or property resulting from the negligent use of the product. In no case does Prowinch® LLC assume any liability arising from the use of these voluntary recommendations, and does not offer any guarantee in relation to them. These recommendations do not take precedence over the current safety regulations of the plant. For purposes of enforcing the Warranty of the product purchased, Prowinch® LLC, will only be liable for any damage when it is possible to prove that the user has followed each and every one of the warnings contained in the User Manual and Safety Warnings.

1. It is the sole responsibility of the Client / User to verify that the acquired equipment, products and accessories comply with the characteristics, capacities, requirements, components, accessories and other conditions for the use that the Client / user intends to give it.
2. It is also the sole responsibility of the Client / User to ensure that the equipment and products purchased are operated and maintained with adequate safety standards and by personnel duly trained in the use thereof. The Client / User is also responsible for implementing all the security measures necessary to prevent accidents or damages to people or property and for following the indications and warnings of the corresponding manual.
3. Any assistance provided by Prowinch® LLC in the selection of the equipment, the capacities and characteristics required by the clients is delivered free of charge and based on the information about the application, use and requirements indicated by the Client itself. It does not correspond to Prowinch® LLC to verify the accuracy of the given information. It is the sole and exclusive responsibility of the Client -or who will use the equipment and products acquired- to ensure that the specifications comply with the capabilities, characteristics, up-to-date maintenance and everything necessary for a correct and safe operation in relation to the intended use.
4. Prowinch® LLC recommends the use of winches with 4 brakes for personnel lifting. The use of winches of 3 brakes or less or safety features lower than the best available for personnel lifting, is the sole responsibility of the customer in order to guarantee the safety of the personnel and users of the equipment it is necessary to carry out the inspections

and maintenance of the equipment according to the recommended frequency in relation to its work cycle. It is mandatory to keep record and evidence the written and photographic reports of: Maintenance, Start-up, Load Tests, Training, Certifications, Inspections and Reports of failures and accidents.

5. The aforementioned reports must be sent by email to registros@prowinch.com within the first 7 calendar days after the occurrence of an event.
6. Compliance with the timely implementation of the mandatory activities described in points 6 and 7 in addition to all the activities mentioned in the corresponding rules applied are the sole responsibility of the user. Failure to comply with the foregoing conditions releases Prowinch® LLC from any type of Liability and Warranty to the team, customer, staff or user, or any other liability that could be attributed to Prowinch® LLC.
7. The information contained in this manual may contain technical errors or inaccuracies. Prowinch® LLC is not responsible for typing errors, omission or incorrect information.
8. This manual is subject to change without prior notice. Download the latest version available at www.prowinch.com.
9. Always check www.prowinch.com for the latest information regarding this product.



PW-Q400

Radio Remote Control 4 Channels Single Speed Multi voltage Range 300 ft

PW-Q202

Radio Remote Control - Wireless Two Channel Transmitter - Multi-Voltage Range Remote Control

PW-Q800

Radio Remote Control 8 Channels Single Speed Multi voltage Long Range 900 ft



PW-Q600

Radio Remote Control 6 Channels 1 Speed Multi voltage Range 300 ft

PW-Q606

Radio Remote Control 6 Channels 2 Double & Speed Multi voltage Range 300 ft

PW-Q1212-LR

Radio Remote Control 12 Channels Double Speed Multi voltage Long Range 900 ft



PW-Q200

Radio Remote Control 2 Channels Single Speed Multi voltage Range 300 ft

PW-Q200-TX

Prowinch Q Series Transmitter (only) 2 Buttons Single Speed

PW-Q202

Radio Remote Control - Wireless Two Channel Transmitter - MultiVoltage Range Remote Control

PW-Q600-LR-TX

Prowinch Q Series Transmitter (only) 6 Buttons Single Speed Long Range



PW-Q606-LR-TX

Prowinch Q Series Transmitter (only) 6 Buttons Double Speed Long Range

PW-Q808-LR-TX

Prowinch Q Series Transmitter (only) 8 Buttons Double Speed Long Range

PW-Q1200-LR

Radio Remote Control 12 Channels Single Speed Multi voltage Long Range 900 ft

PW-Q1212-LR-TX

Prowinch Q Series Transmitter (only) 12 Buttons Double Speed Long Range

Thank you for purchasing a Prowinch® Remote Controller. This manual describes the operation and maintenance of the product. All information in this publication is based on the newest production information is available at print time.

1. SAFETY PRECAUTIONS

Prowinch®'s industrial remote controllers are designed for delivering a safe and confident service if they are operated according to this manual.

This manual contains important information to help you properly install, operate and maintain your controller for maximum performance, economy and safety. Please study its contents thoroughly before putting your remote into operation. By practicing correct operating procedures and by carrying out the recommended preventive maintenance suggestions, you will experience long, dependable and safe service.

After you have completely familiarized yourself with the contents of this manual, we recommend that you carefully file it for future reference.

Applications for PW-Q Prowinch® Prowinch Q Series Transmitter

Prowinch Industrial remote controller series is specially designed for the control of industrial machinery and equipment; It's widely used in wireless remote control of a variety of industrial equipment. Such as various cranes, tower cranes, conveyors and other crane equipment. the main features are as follows

Mandatory use of:



Hard Hat



Safety Glasses



Safety Gloves



Safety Shoes

1.1. Safety Precautions



WARNING:

This symbol indicates unsafe practices or situations which may cause damage to the property and even injuries to the personnel.



DANGER:

This symbol indicates a potentially dangerous situation which if not avoided may cause severe injuries or death

DANGER



All operators and other users who are near the steel chain or its load must wear required safety equipment: gloves, safety helmet / hard hat, safety shoes and eye protection.

WARNING



Before installing, removing, inspecting, or performing any maintenance on the winch, the unit must be unplugged, locked out, and tagged out. Do not use this equipment in hazardous locations.

Read and understand the contents of this User Manual thoroughly before handling the product. Practicing correct and safe operating procedures and carrying out the recommended preventative maintenance will ensure a long, reliable, and safe service. After carefully reading and understanding the User Manual, store it for future reference.

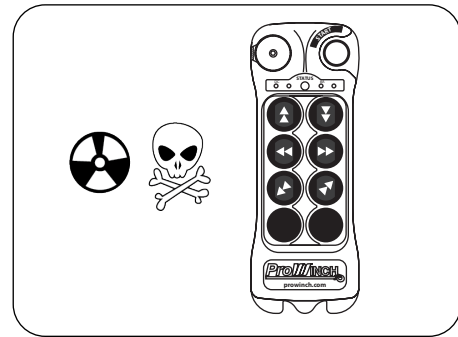
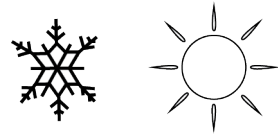
GENERAL ENVIRONMENTAL PRECAUTIONS



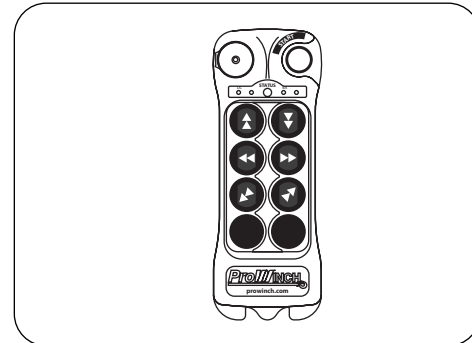
DANGER:

The following environmental conditions can cause malfunction of the winch.

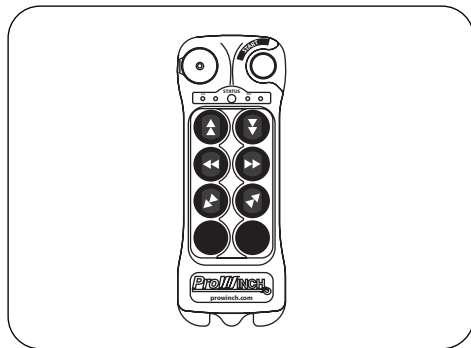
The following environmental conditions may cause malfunctions in the equipment. When operated outdoor, a shelter should be used for extreme weather conditions: below -10° C or above 40° C



If used near chemicals, corrosive gas or explosives may cause an explosion. Exposure to salt or acids may cause malfunctioning.



Exposure to sand may cause malfunctioning.



Avoid exposure to rain or snow. It may cause rusting of the equipment.

WARNINGS



PRODUCT DESCRIPTION

1. A total of 200 sets of remote control channels can be adjusted, completely replacing the traditional quartz single channel, solving the problem that easy broken and hard to get the channel.
2. Receiver have the function of automatic search transmitter channel: the use of replacement transmitter do not need professional equipment pairing, safe. It Is simple and efficient.
3. More than 1 million sets of non repeatable ID codes: superior to other industrial wireless remote controls on the market, the Prowinch family never repeats 10 codes.
4. With advanced microprocessors: fast, high security, high accuracy and 100% correct coding and decoding,
5. More than 200 function settings : the transmitter and receiver have more than 200 function settings, can fully meet the various work needs of customers.
6. The whole series of products are completely oompstib1e with software and hardware ,which avoid customers storing too many spare parts. Customers can be prevented from unnecessary large inventory expenditures.
7. Rugged transmitter button: transmitter keystroke can reach, 2 million limes of continuous operation pressing, absolutely durable.
8. Power--saving design: the transmitter only needs two No. 5 "AA" alkaline batteries to operate and use for more than 100 hours.
9. Reinforced fiber plastic case: durable case for transmitter and receiver to prevent damage caused by strong impact and frequent drop.

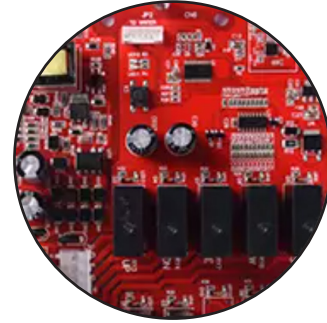




Rugged transmitter button: The transmitter button can be pressed for 2 million times and it would be perfectly working.



The receiver automatically searches for the transmitter channel function: Automatic wireless pairing, replacing the transmitter without professional equipment pairing.



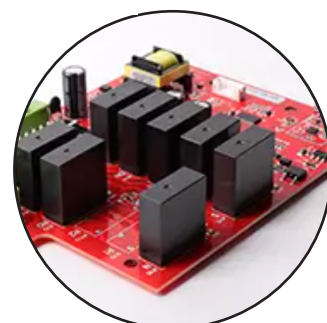
Use advanced processor with multi-bit hamming code: fast, high security, high precision and 100% error-free coding and decoding.



Extraordinary communication design, synchronous codec data transmission, with software to eliminate interference, debugging, correction

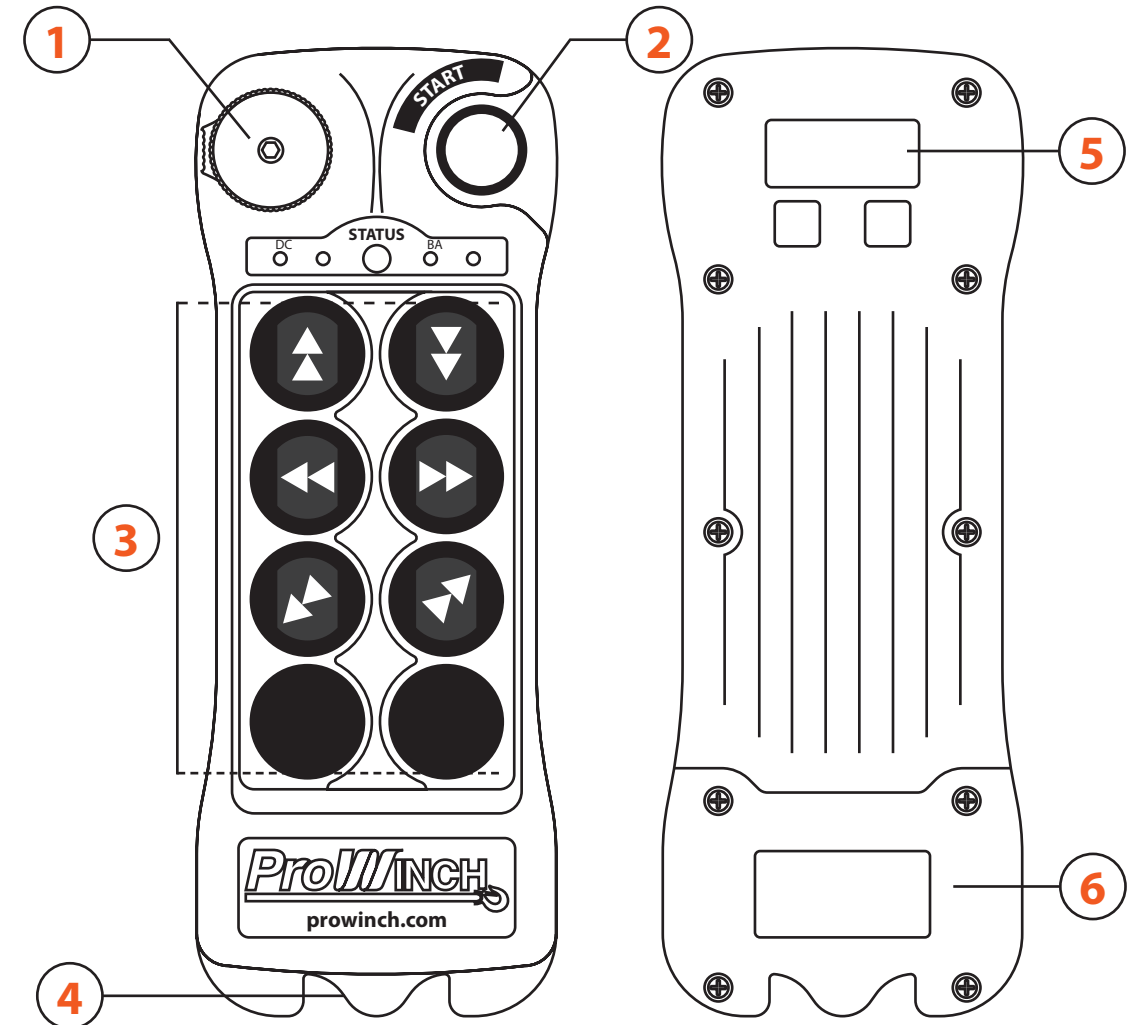


Reinforced fiber plastic housing: Rugged attachment to the receiver housing to prevent damage from strong impact and frequent drops.



Super waterproof and oil proof grade; launch and receive external rafts fully comply with IP66/NEMA4 international specifications.

PRODUCT GRAPHIC OF TRANSMITTER



| No | Description |
|----|-----------------------|
| 1 | Emergency Stop Button |
| 2 | Start Up / Bell |
| 3 | Buttons |
| 4 | Hanging Ring |
| 5 | SN/CH Code Channel |
| 6 | Battery Cover |

Simple diagnosis / Troubleshooting for transmitter

Please check whether the remote control handset is in good condition before using the product. If you find that can not be operated manually, you can follow the steps below to perform simple lamp diagnosis and troubleshooting .

| Condition | Reason | Action |
|---|--|---|
| <ul style="list-style-type: none"> Red and green Without indication Remarks: Press any button without light indicator | <ul style="list-style-type: none"> No power Boot mode | <ul style="list-style-type: none"> Please check the battery itself, damage or not Please replace the brand new battery and start the transmitter again. Rechargeable battery needs to be charged or replaced with new one. |
| <ul style="list-style-type: none"> Red light flashing / Long bright | <ul style="list-style-type: none"> The battery spring piece is dirty The battery power is insufficient The battery itself is damage | <ul style="list-style-type: none"> Please check if the battery itself is damaged or not. Check if the battery spring is dirty or not. Please replace the brand new battery and start the transmitter again. |
| <ul style="list-style-type: none"> The green light is flashing | <ul style="list-style-type: none"> The receiver without sufficient power The receiver without input power | <ul style="list-style-type: none"> Please check the power of receiver Please check the fuse of receiver. |

If you still having the same problem please contact us at +1 (800) 971-8061 or visit our website WWW.PROWINCH.COM

Technical Index

| Transmitter Parameter | | Receiver Parameter | |
|---|--------------------|---|----------------------------------|
| Frequency (MHz) | 433/480 | Frequency (MHz) | 433/480 |
| Transmitter RF Power (mW) | <10 | Transmitter RF Power (mW) | -112 |
| Remote Control Distance (M) | 100 | Remote Control Distance (M) | 100 |
| Power Supply (DC) | LR6(AA)1.5Vx2 DC3V | Power Supply (DC) | AC36/AC110/AC220/AC380/DC12/DC24 |
| Modulation | GFSK | Modulation | GFSK |
| Frequency Control | PLL | Frequency Control | PLL |
| Antenna Impedance (Ω) | 50 | Antenna Impedance (Ω) | 50 |
| Command Response Time (ms) | <100 | Command Response Time (ms) | <100 |
| Stop Command Response (ms) | <100 | Stop Command Response (ms) | <100 |
| Average Power Consumption mA@DC | 8mA@DC3V | Average Power Consumption mA@DC | 15mA@AC220V |
| Working Temperature (regardless of battery temperature) | -35+75 | Working Temperature (regardless of battery temperature) | -35+75 |
| Net weight (with battery) (g) | 380g | Net weight (with battery) (g) | 1700g |
| Case Material | PA6+30%GF | Case Material | PA6+30%GF |
| | | Protection Level | IP65 |

NOTES

- This machine has been closely tested before leaving the factory, but shall not be used in dangerous and potentially damaging circumstances.
- After use, the total power supply of the equipment should be turned off, the power supply of the receiver should be cut off, and the key switch of the transmitter should be removed.
- The transmitter should be placed in a safe place, and personnel should not be randomly pressed to avoid accidents.
- Equipment should have total power relays, limit switches, and other safety facilities.
- It should be discontinued in the event of lightning strike or interference.
- When installing or repairing, turn off the total power of the equipment and the power supply in the receiver to avoid electric shock.
- If necessary, the manufacturer will change the machine appropriately. Therefore, the content will be adjusted at any time based on the new machine without notice.

Operator Precautions

- Users must have received 0 series of operation training to familiarize themselves with the operation mode.
- The operator must be in good health, good spirits, and be able to identify and judge the safety operation, and have a qualification certificate.
- Series of rugged transmitter can be quite resistant to impact and weather resistance, but too much or deliberate collision, extrusion, it may still be damaged.
- The operation user should pay attention to the indicator light on the transmitter. If the red light continues to flash, there may be an abnormality or a fault condition, or the battery may be exhausted. At this time stop the operation immediately and replace the battery light. It can be operated after normal.
- If you find that the equipment is seriously disturbed, you must stop the operation immediately.
- If you do not use the remote control for a long time, you must remove the battery inside the transmitter

Installation Precautions

- When installing the receiver, turn off the total power supply of the equipment and ensure that the power supply is cut off as not to be electrocuted.
- The receiver should not be installed in the electronic control box, the correct way to install the receiver is to fix the receiver in the appropriate position at the top (or outside) of the electronic control box, and then put the receiver output cable into the electronic control box to make the appropriate wiring.
- There are 4 billion sets of security codes in this series of remote control. The security code settings are different before shipment. Please check if there is a remote control of the same within 100m range during installation to avoid interference.

WARRANTY**LIMITED WARRANTY COVERAGE**

PROWINCH products are warranted to the original purchaser for a period of three (3) years after the date of purchase only to be free from defects in material and workmanship when subjected to normal, proper and intended use. Within this period, PROWINCH will only repair or replace free of charge any part on a product, after examination, is determined by PROWINCH to be defective in material or workmanship and was not caused or substantially contributed to by other factors or circumstances beyond PROWINCH control, including (but not limited to) defective installation, maintenance or repair, product modification or alteration, any neglect misuse or excessive use, mishandling, product exposure to extreme or unsuitable conditions, normal wear and tear or failure to follow manufacturer's instructions. This warranty does not apply to damage that PROWINCH determines to be from repairs made or attempted by anyone other than PROWINCH authorized personnel.

Return of the product with a copy of proof of purchase to PROWINCH, freight prepaid and insured, are required for this warranty to be effective. If more than one year has elapsed from purchase date, proof of periodic and regular maintenance by an authorized service must also be provided for this warranty to be effective. PROWINCH does not cover freight or labor charges associated with the inspection and testing of products which are found by PROWINCH not to be a valid warranty claim.

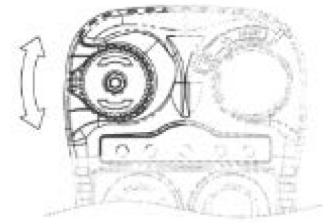
DISCLAIMER

In no event shall PROWINCH be liable for any labor, removal and installation expenses, loss of time, manufacturing costs, transportation, materials, loss of profits, incidental, special, consequential or punitive damages, or for any costs, attorney fees, expenses, losses or delays, direct or indirect, alleged to be as a consequence of any damage to, failure of, or defect in any product including, but not limited to, any claims for loss of profits. PROWINCH disclaims any implied warranties, including without limitation, any implied warranty of merchantability or fitness for a particular use or purpose. Acceptance of the exclusive repair and replacement remedies described herein is a condition of the contract for the purchase of every PROWINCH product. If you do not agree to this condition, you should not purchase the product.

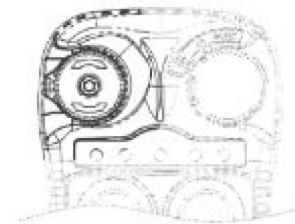
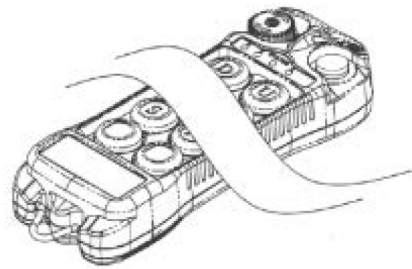
OPERATION INSTRUCTIONS

General operating procedures

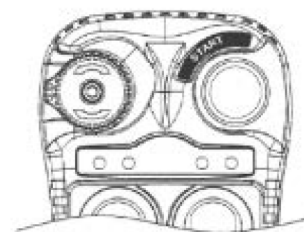
1. Rotate the red emergency button located in the upper left corner of the transmitter clockwise or counterclockwise, and the button will pop up.



2. Press the green button and the green status means the start of the flashing remote control.



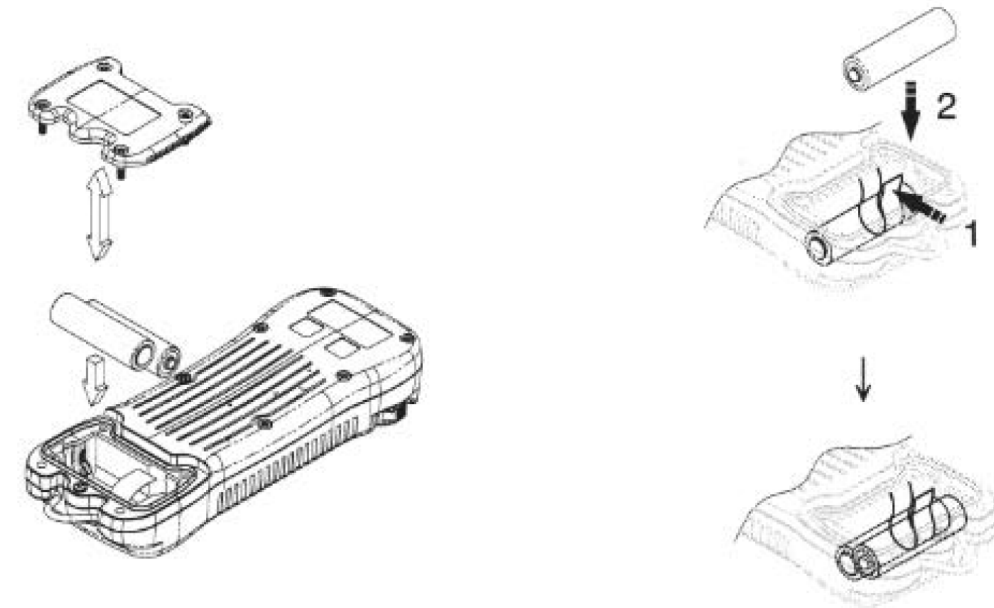
3. After startup, check the status light on the transmitter to confirm that the system is normal; under normal conditions, a green light will flash when the button is pressed.



4. After completing the above operation procedures, press any button on the transmitter to control the crane or other equipment.
5. When the device is to be stopped, press the red emergency

Replace the battery

Please open the battery cover on the back of the transmitter and use the no 5 "AA" Alkaline batteries, After replacement, lock the battery cover to prevent dirt from seeping into the transmitter.



WIRELESS PAIRING INSTRUCTIONS

1. Receiver Pairing mode: Power on the receiver, press and hold the pairing button located inside the receiver on the main board. You should see the lights blink alternately (red - green) confirming pairing mode



2. Transmitter Pairing mode: With power on the transmitter and the Emergency Stop button engaged, press the UP and the DOWN button alternatively four times. You should see the lights blink alternately (red - green) confirming pairing mode.

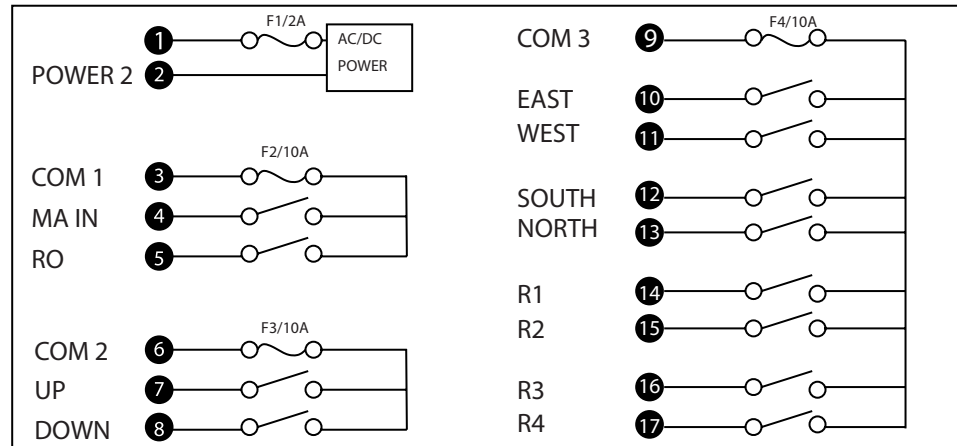


WIRELESS PAIRING INSTRUCTIONS

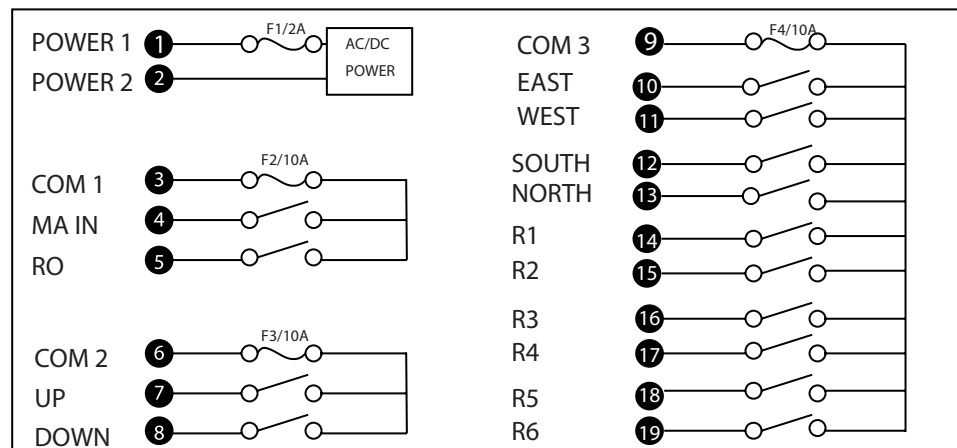
3. Press and hold the START button on the transmitter, without releasing, press the DOWN button until all lights turn off. The transmitter and receiver should be paired now! If you have any question do not hesitate to contact us!



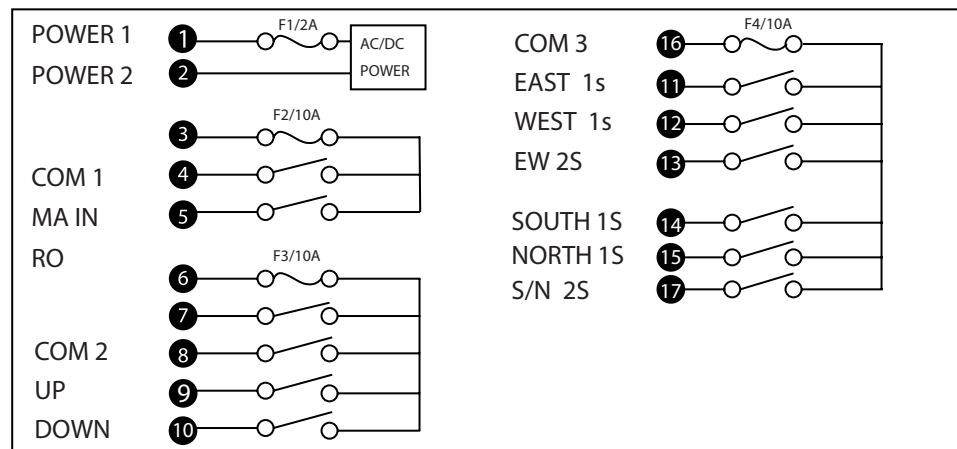
PW-Q1000 Wiring Diagram



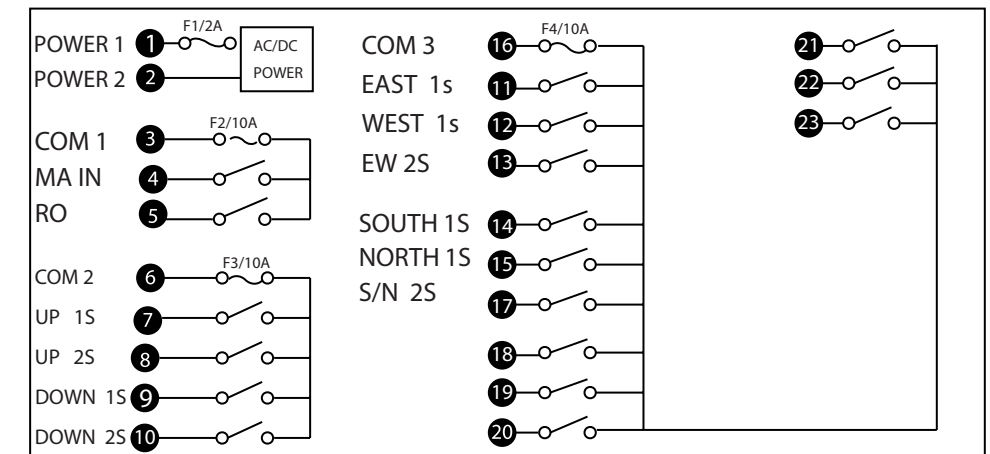
PW-Q1200 (LR) Wiring Diagram



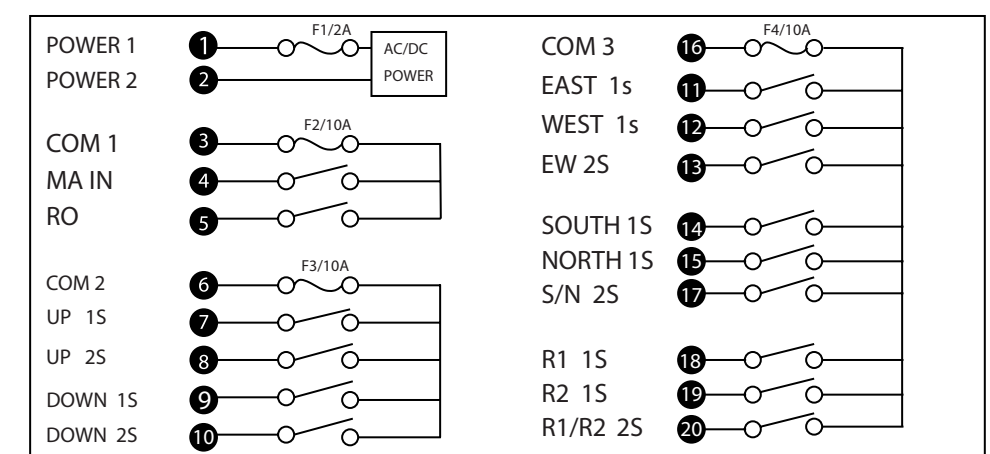
PW-Q606 (LR) Wiring Diagram



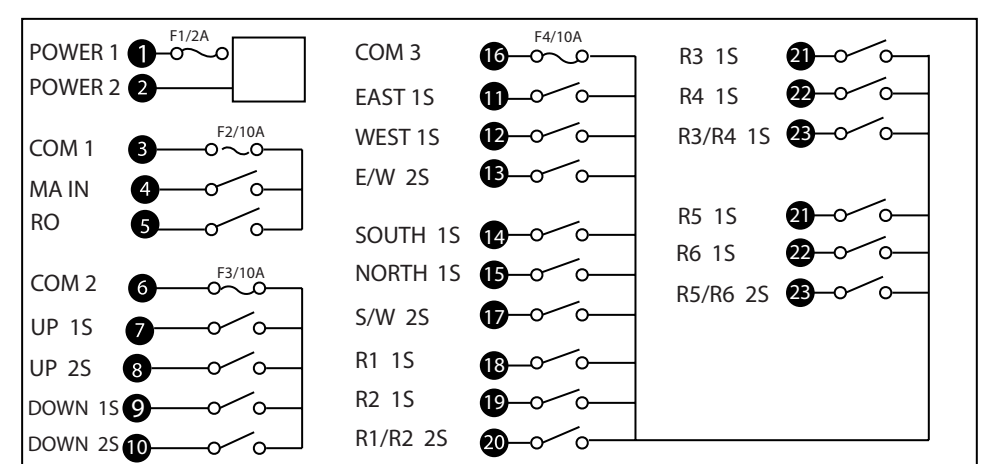
PW-Q1010 (LR) Wiring Diagram



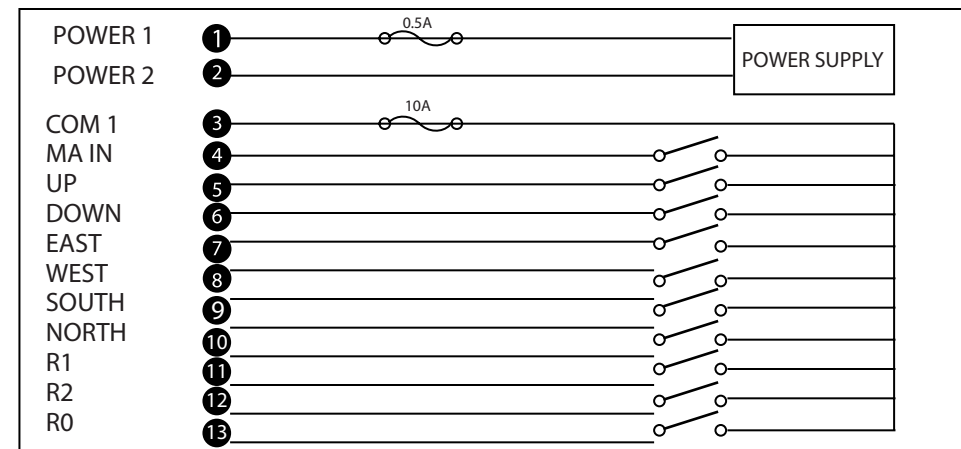
PW-Q808 (LR) Wiring Diagram



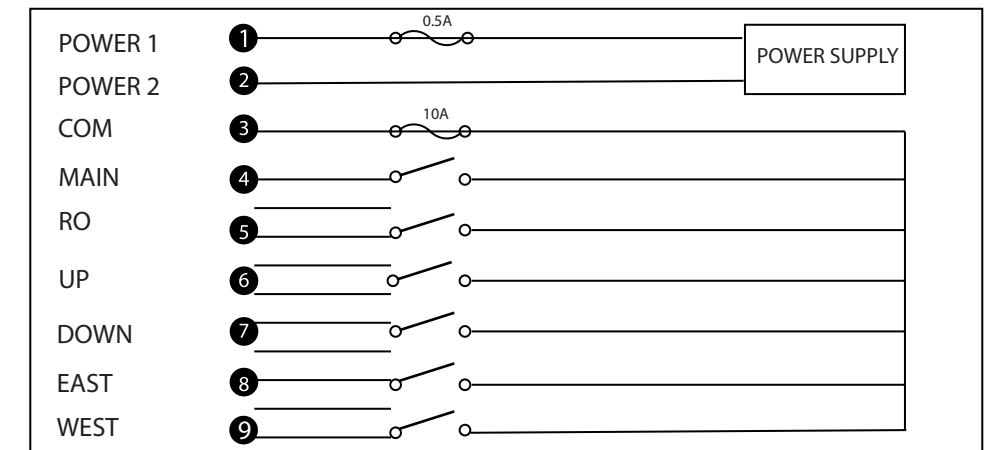
PW-Q1212 (LR) Wiring Diagram



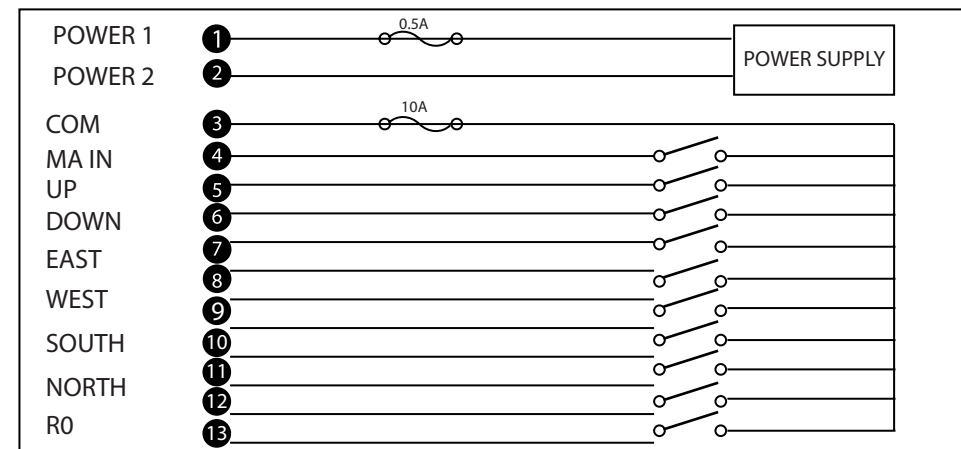
PW-Q800 (LR) Wiring Diagram



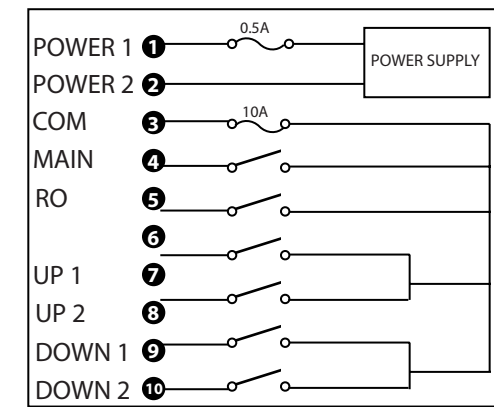
PW-Q400 (LR) Wiring Diagram



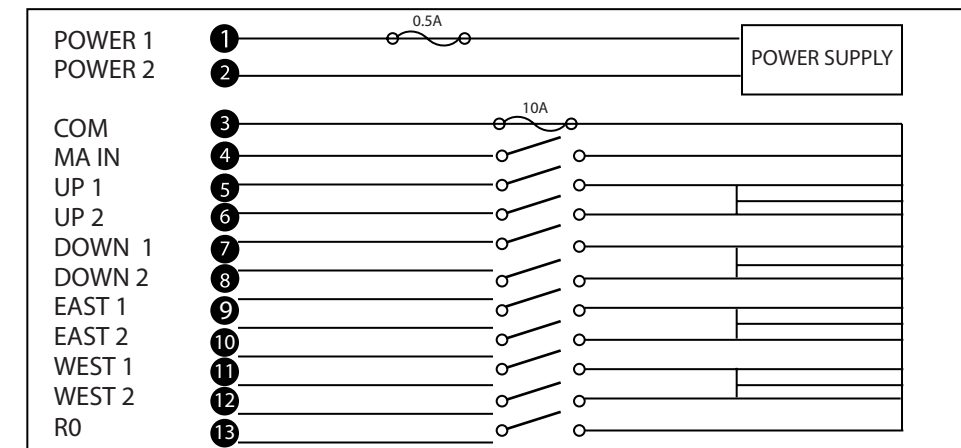
PW-Q600 (LR) Wiring Diagram



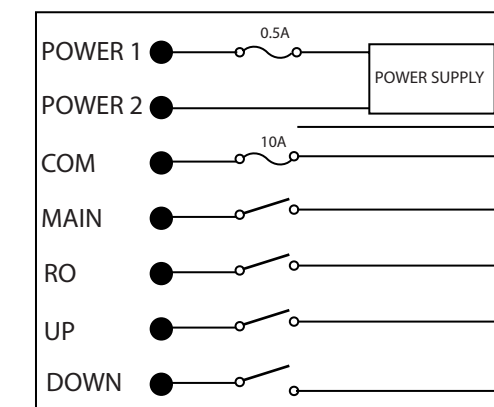
PW-Q202 (LR) Wiring Diagram



PW-Q404 (LR) Wiring Diagram



PW-Q200 (LR) Wiring Diagram



Ayers USA Cranes
ayersusa.com

26111 US-90, Robertsdale,
AL 36567
251-929-1773
service@ayersusa.com

MIAMI, FL
PROWINCH LLC
www.prowinch.com

2901 NW 21st Terrace
Miami, FL 33142
United States
+1 (800) 971-8061

Fortis Alloy Mexico S.a. De C.v
www.prowinch.mx

Fortis Alloy Mexico, S.A. de C.V. Vicente
Guerrero No. 403 Col. San Miguel,
Apodaca, Nuevo Leon,
Mexico C.P. 66649
+52 (81) 8244-1351

Guatemala

7a Avenida 1-22 Zona 13,
Pamplona, Ciudad de
Guatemala
+502 2381-8383
ever.mendez@contecindustrial.com

Lima, Peru
www.prowinch.pe

Urb. San Antonio de Carapongo.
Calle 1. Lurigancho - Lima
Phone: +51 935402797
info@prowinch.pe

Lima, Peru
www.prowinch.pe

Av Mansiche 1586, Trujillo,
La Libertad, Peru
51 44 618700
ventas@dezajacobs.com
www.dezajacobs.com

Prowinch Colombia Sas
www.prowinch.co

Cl. 163a #20-28,
Bogotá Colombia
(+57) 1 7034035

**Provedora Industrial
Y Tecnica, S.a. De C.v.**
www.prointe.com.sv

Av. Alberto Masferrer Sur, Col.
Campestre No. 211
San Salvador, El Salvador
2264-1100

**Equipos De Izaje
Prowinch Chile Spa**
www.prowinch.cl

Parque Riesco 3407, Recoleta,
Región Metropolitana, Chile
+56-2-26218989

